







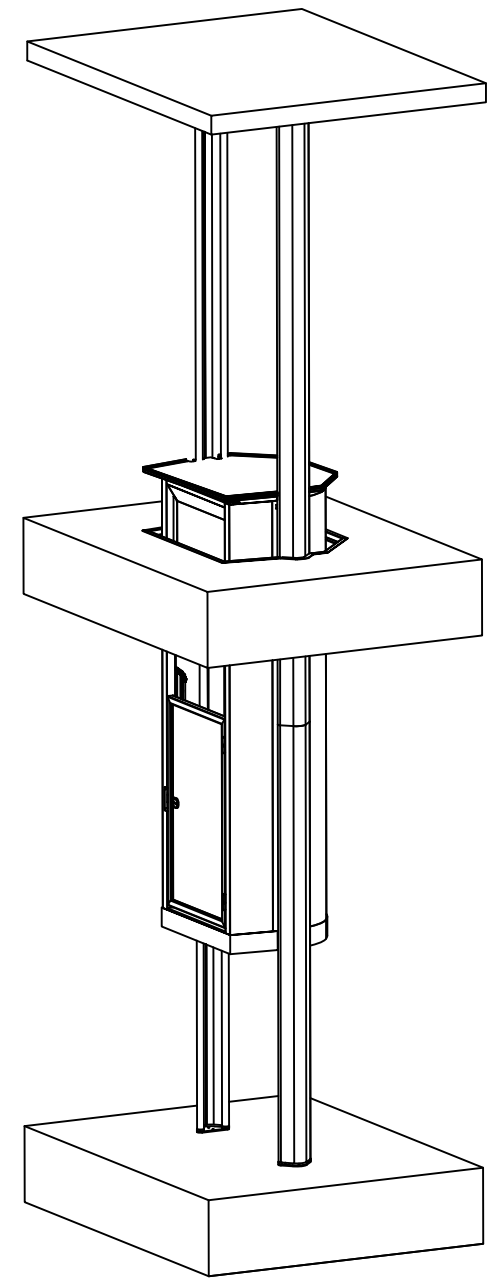
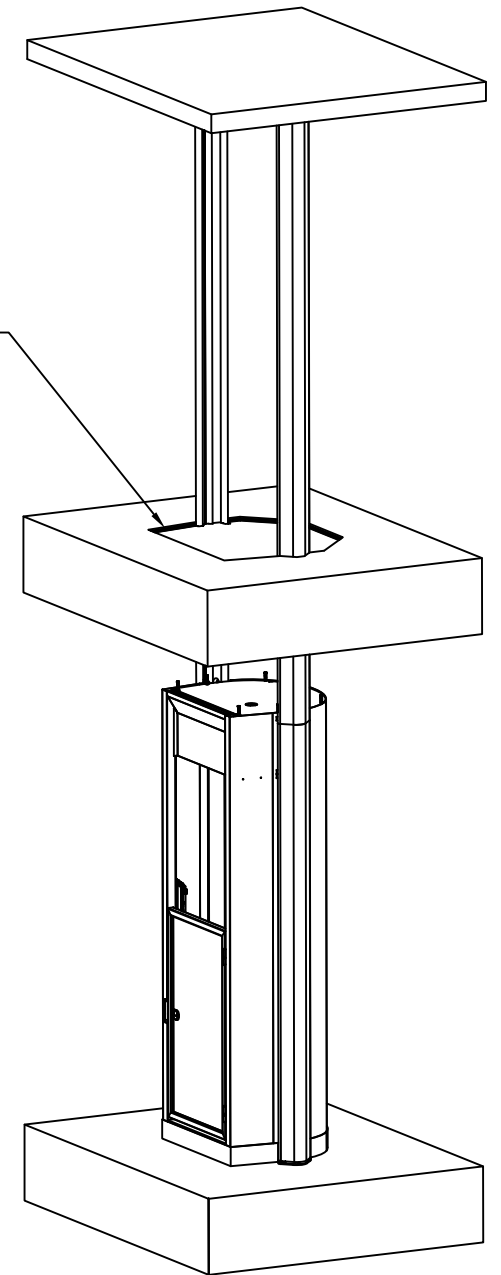
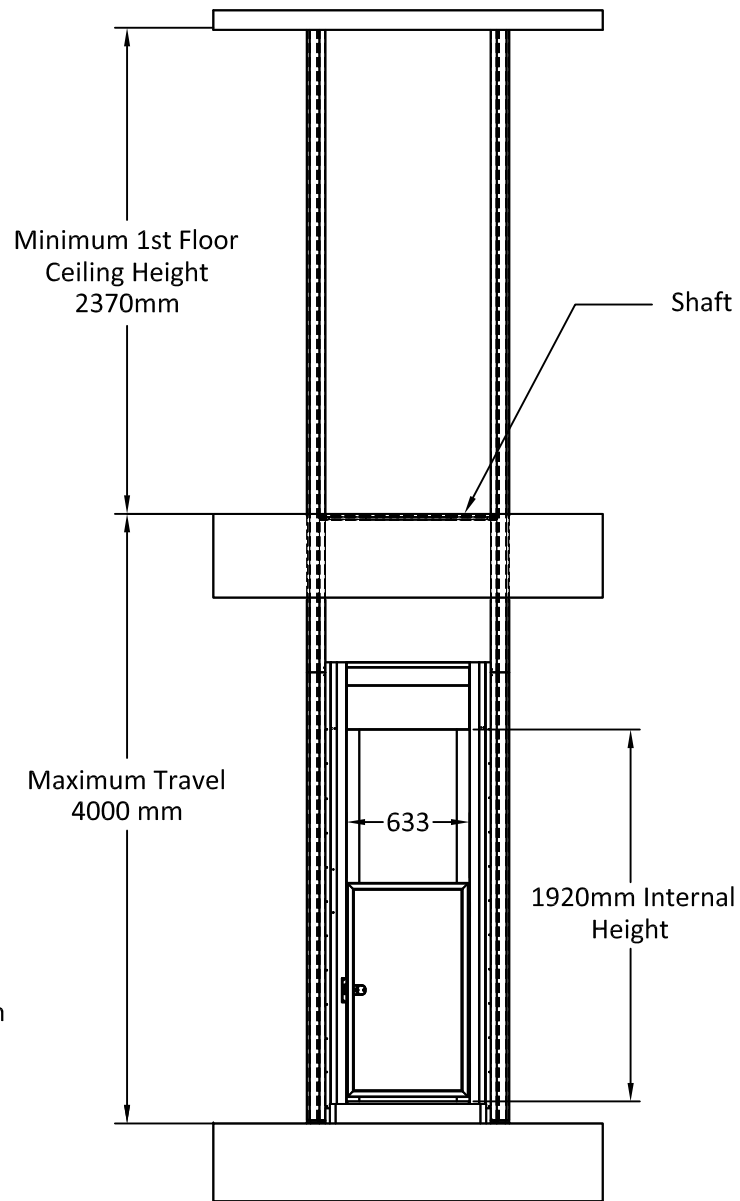
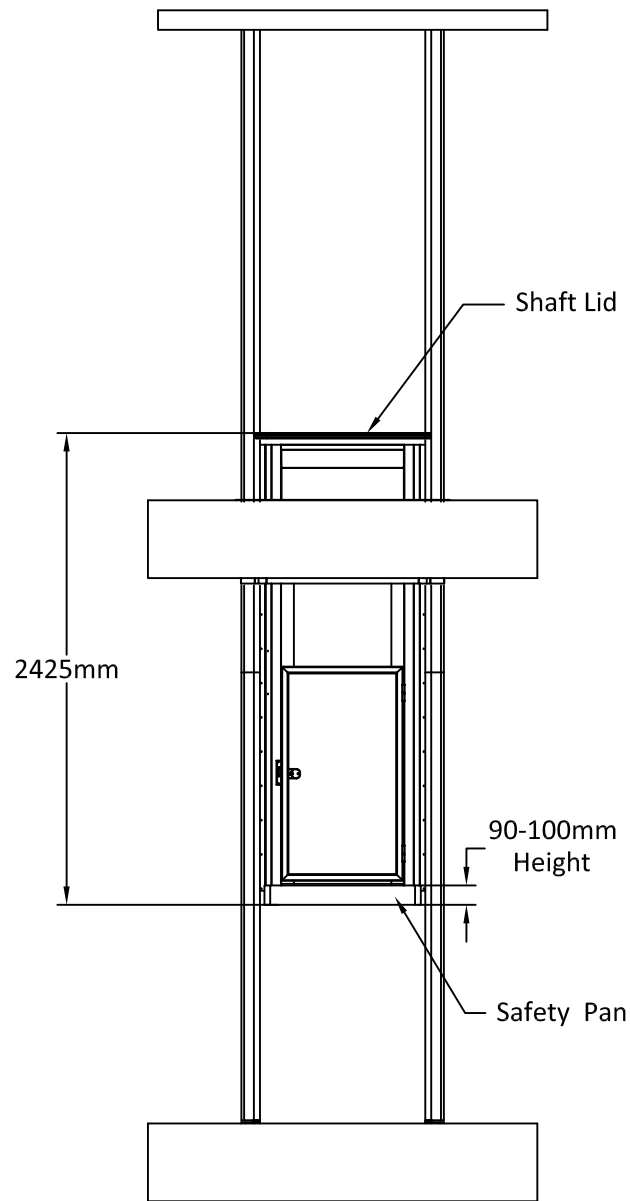


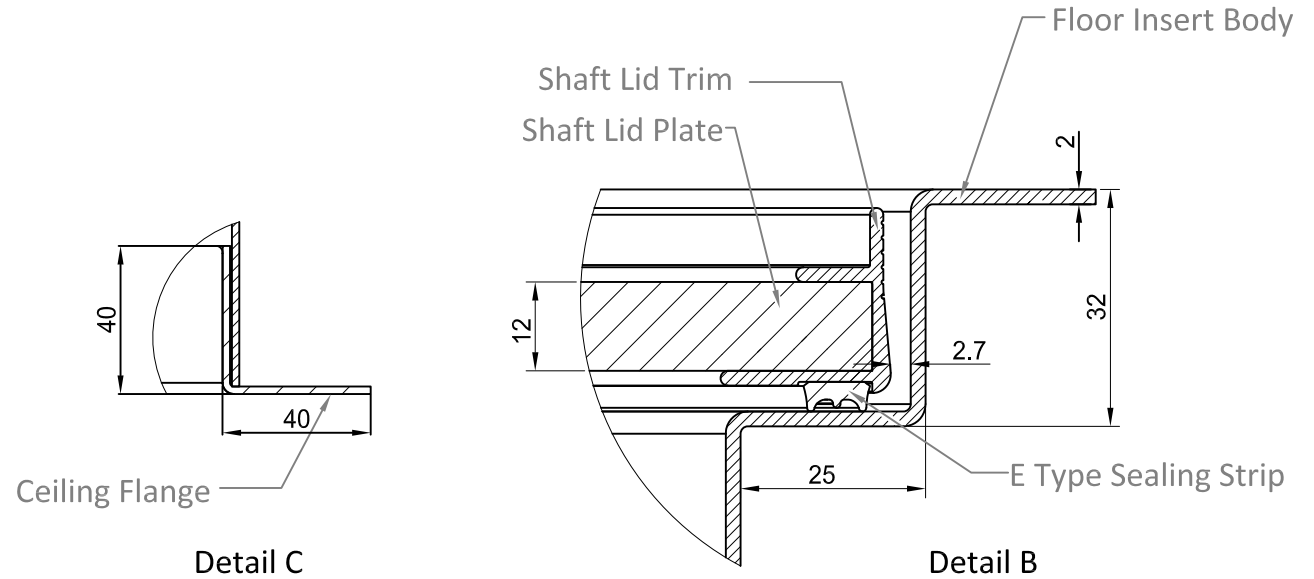
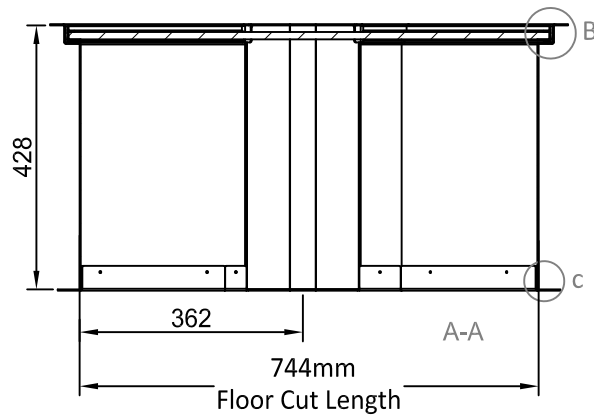
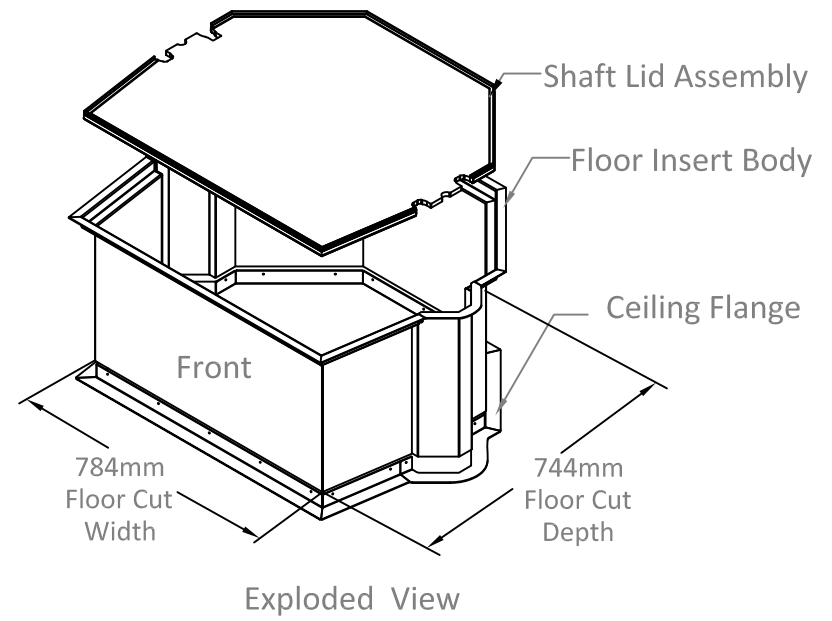
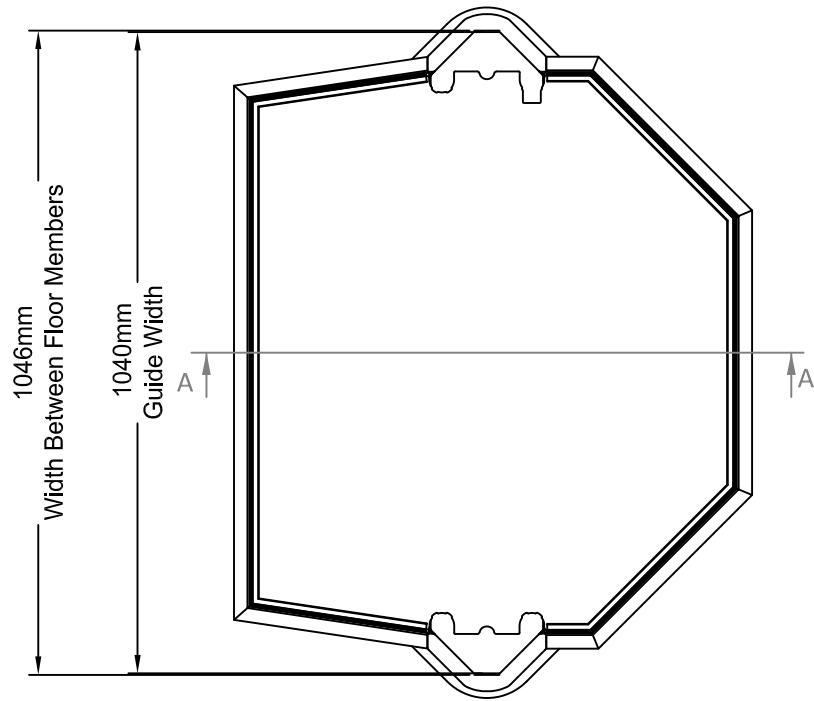
Technical Information:

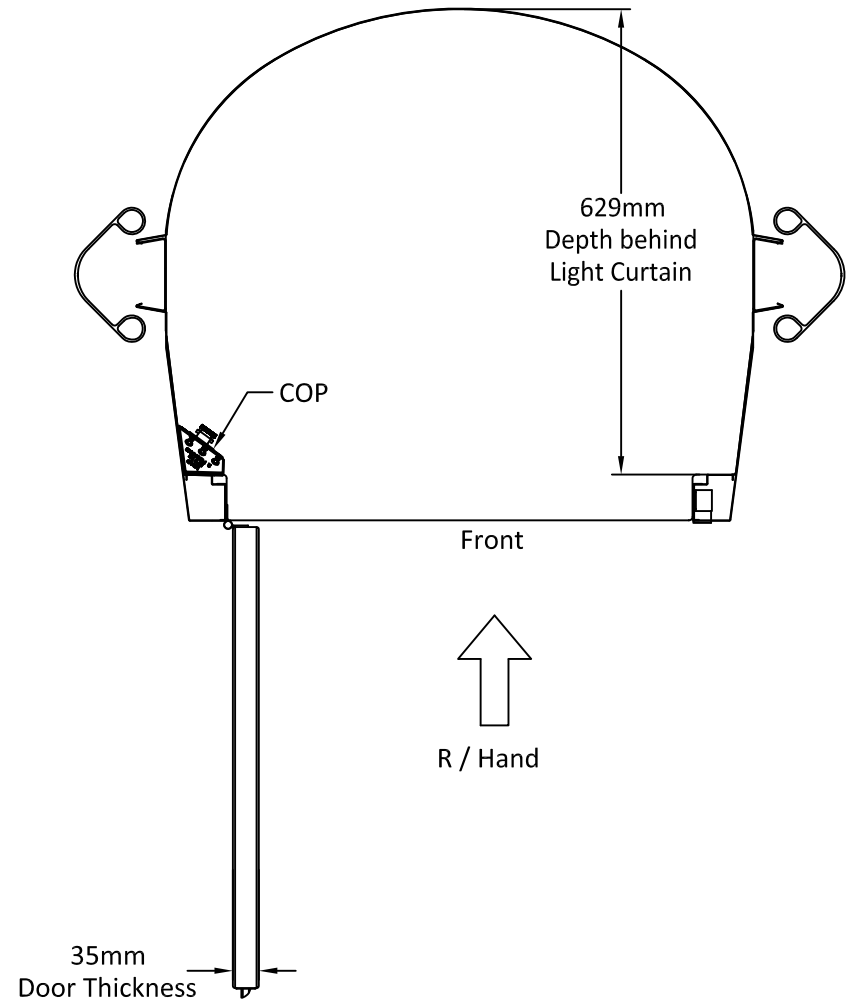
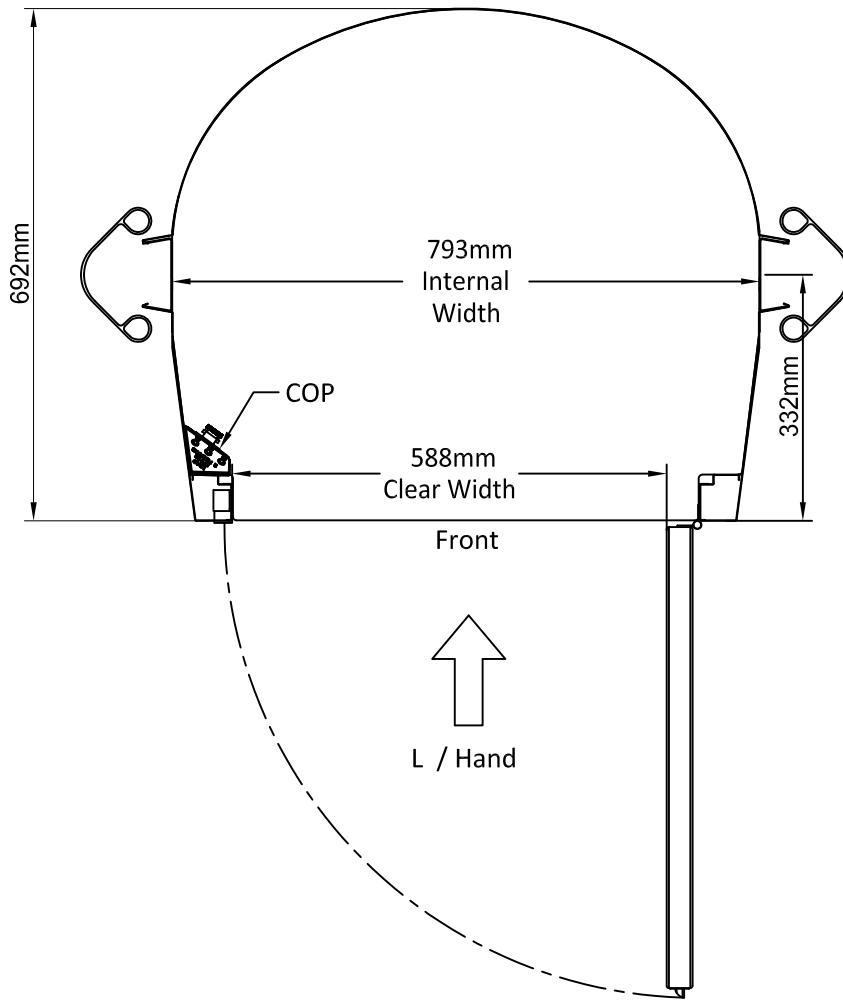
The Duo

-  **DRIVE SYSTEM:**
Roped Drum, Braked Gear Motor Drive
-  **CAPACITY:**
MAX Capacity 170kg / 2 persons
-  **TRAVEL:**
Up to 4000mm
-  **NO of FLOORS:**
2 Maximum
-  **SUPPLY VOLTAGE:**
240v 1PH 50HZ
-  **RUNNING CURRENT:**
2.5 AMP
-  **STARTING CURRENT:**
3.5 AMP
-  **STANDARD COLOUR:**
Off White / Cream (RAL 9003)
(Other colours available)

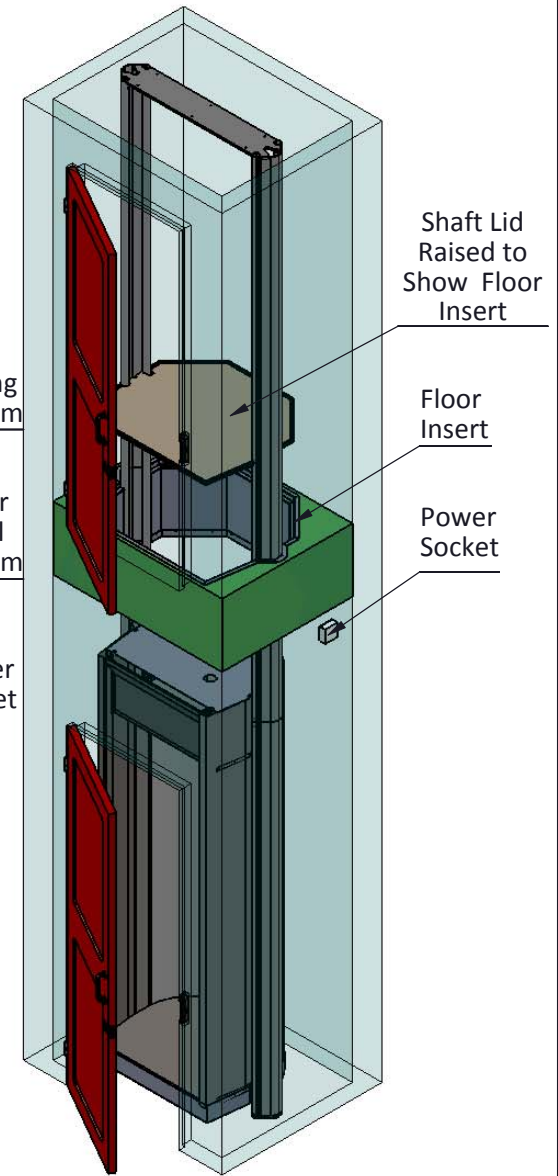
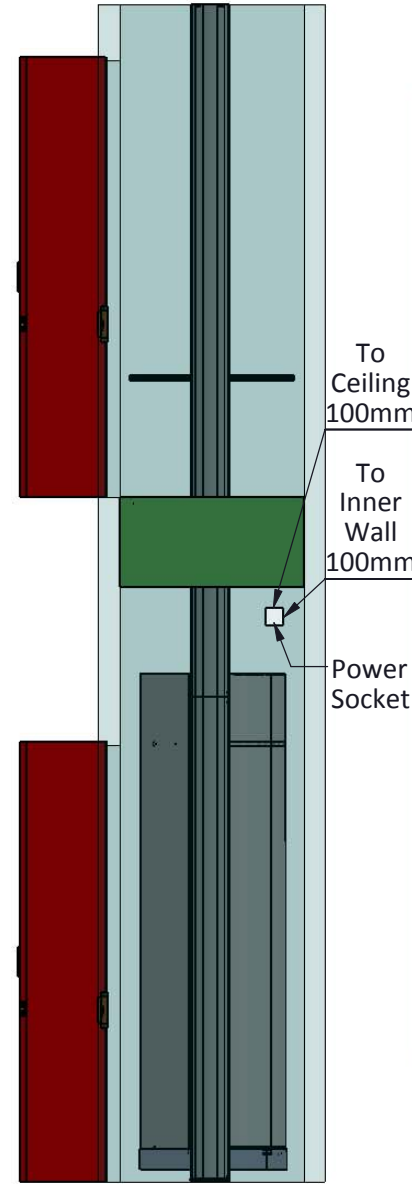
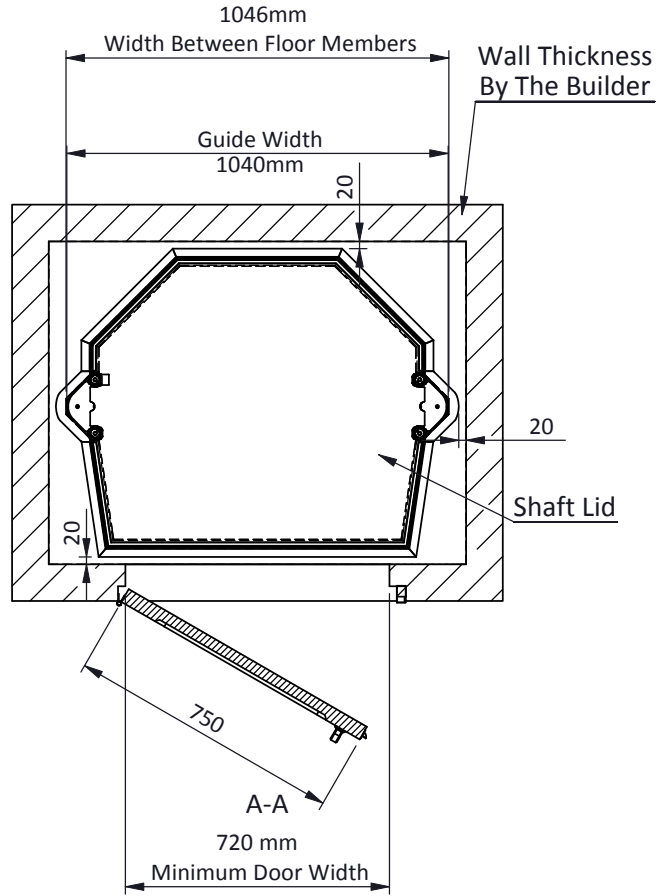
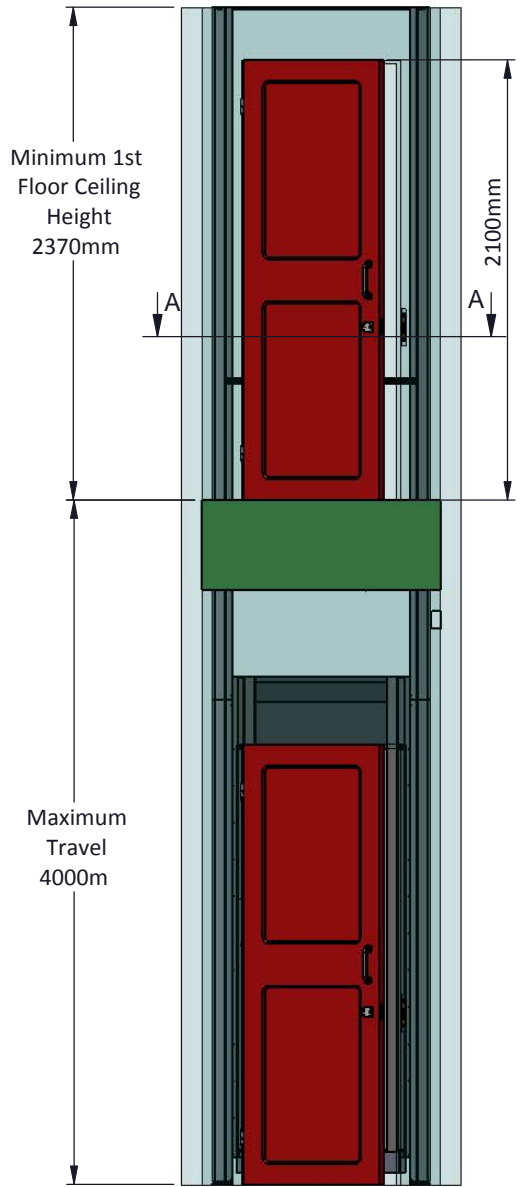








Notes about this Revision	Date



Approved for Manufacture

By: (Sign)

Name:

GENERAL TOLERANCES (Unless otherwise noted):

Whole: $\pm 0.5\text{mm}$

Decimal: $\pm 0.1\text{mm}$

Angular: $\pm 0.25\text{ deg.}$

Break ALL sharp corners and remove burrs & swarf.

The information contained herein is the exclusive property of Stiltz Ltd. and shall not be distributed, reproduced, or disclosed in whole or in part without prior written permission of Stiltz Ltd.



© Stiltz Ltd. 2013

Drawn W Wang Date 2015/6/10

DIMENSIONS IN MM UNLESS OTHERWISE NOTED

THIRD ANGLE PROJECTION - AS 1100

TITLE Duo Lift Shaft Information

A4 Dwg No

SCALE: 1:35